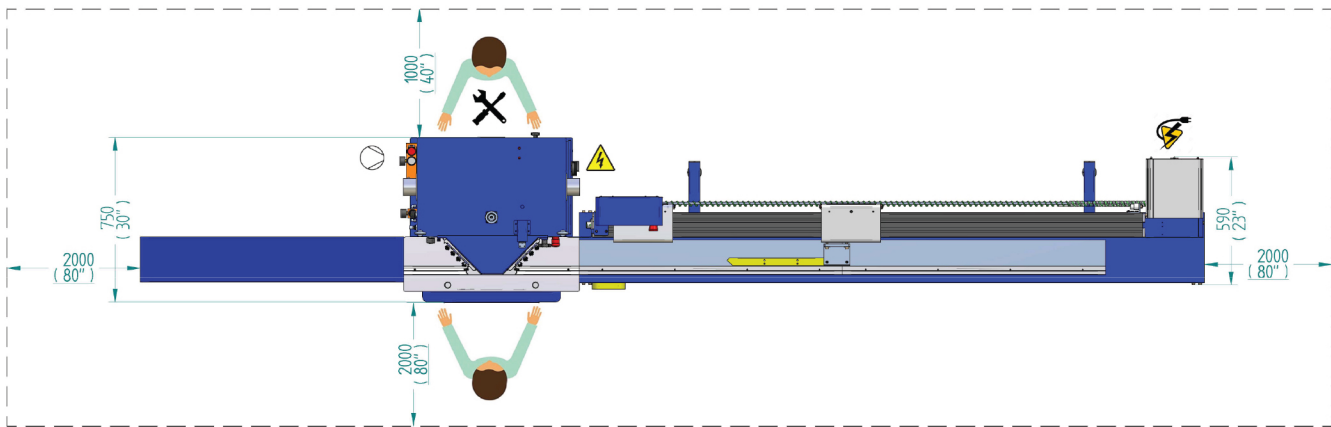
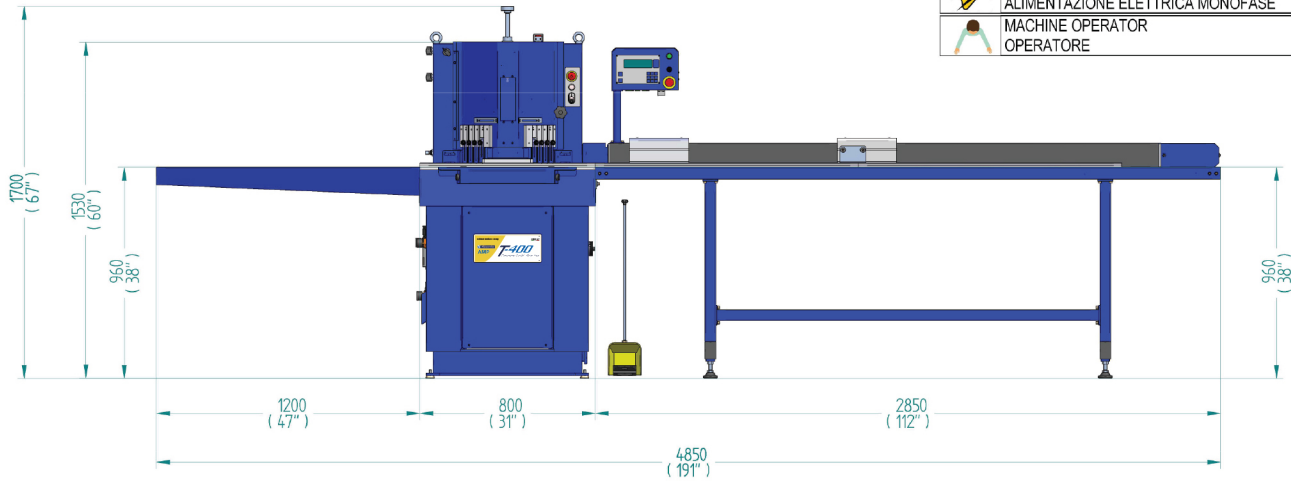


T-400 & AG 2000 Factory Floor Layout

	AIR PRESSURE CONNECTION POINT CONNESSIONE ARIA COMPRESSA
	3 PHASES ELECTRICAL POWER SUPPLY ALIMENTAZIONE ELETTRICA 3 FASI
	SINGLE PHASE ELECTRICAL POWER SUPPLY ALIMENTAZIONE ELETTRICA MONOFASE
	MACHINE OPERATOR OPERATORE



*Measurements: mm (inches)